



I N D U S T R I E S

OWNER'S MANUAL

FOR

LANCE MASSAGE TUMBLER

LT-15

LANCE INDUSTRIES, PO BOX 341, ALLENTON, WI 53002 1(800) 775-2623

TABLE OF CONTENTS

<u>SECTIONS:</u>	<u>PAGE:</u>
SPECIFICATION SHEET	2
INSTALLATION INSTRUCTIONS	3
OPERATING INSTRUCTIONS	4
CLEANING INSTRUCTIONS	10
RECOMMENDED PROCEDURES FOR TUMBLING PRODUCT	11
MAINTENANCE	13
TROUBLESHOOTING	
- CHECKING THE AIM OF A PHOTO-EYE	14
- ADJUSTING THE AIM OF A PHOTO-EYE	16
PARTS LIST	
- FRAME	19
- VACUUM	21
- DRIVE-TRAIN	23
- ELECTRICAL	25
PARTS CHANGE LIST	26
VACUUM PUMP	27-28
GEARBOX	
WIRING DIAGRAM	29-30
TIMER MANUAL	
DC CONTROLLER MANUAL	
MACHINE MODEL NO.: _____	
SERIAL NO.: _____	

**MODEL LT 15 MASSAGE TUMBLER
SPECIFICATION SHEET**

CONSTRUCTION

All Stainless Steel Construction with USDA approval

PHYSICAL DIMENSIONS

Length	47"
Width	27"
Height	35"
Drum Size	20" diam. x 30" long
Approximate Weight	250#

PRODUCT CAPACITY

Gallons	40
Liters	150
Pounds	200

VACUUM PUMP SYSTEM

Pump capable of delivering 22" Hg (Mercury)
Easily Accessible Liquid Trap

DRUM SPEED

Variable Speed Drive	1 - 9 RPM
----------------------	-----------

TIMER CONTROLS

Tumbler Timer	99 Hr. 59 Min.
* Intermittent Timer	
On Time	Up to 99 Hr. 59 Min.
Off Time	Up to 99 Hr. 59 Min.

MOTORS

Variable Speed Motor	1/5 HP, 5.0 Amps
Vacuum Pump Motor	3.3 Amps

ELECTRICAL CONNECTIONS

115 volts, 60 cycle single phase

(See outside cabinet of machine for electrical requirement)

* Optional Equipment

Specifications Subject to change at anytime

INSTALLATION INSTRUCTIONS

A. Unpacking

1. Carefully remove crate from the skid.
2. Remove machine from skid.
3. Wipe down outside of the machine.
4. Clean inside of the drum.

B. Checking Control Panel

1. Check outside the cabinet for the required voltage requirement for your machine. Plug the machine into the required outlet.
2. Press the (RST/ENT) button on the tumbler timer.
3. Check photo-eye for power (The red light on the back side of the photo-eye should be on. This can be see through the observation windows near each photo eye. The light on the photo-eye must be on. If they are not, wipe the face of the photo-eye and the reflector opposite them to remove all moisture. If still not on see instructions for checking aim of the photo-eyes).

C. Check Vacuum Pump Control

1. Turn on the vacuum pump. It should run.

D. Check Tumbler Motor Controls

1. Set variable speed control to 20.
2. Set tumbler timer to 2 minutes.(See "SETTING THE CONTROL TIMER" in the Operation Instructions section).
3. Press the tumbler start button - Drum will now turn.
4. Turn the variable speed control up & down. The drum will speed up & slow down.
5. The drum will turn until the tumbler timer counts down to zero at which time the drum will stop.
6. Press the (RST/ENT) button on the tumbler timer.
7. The machine is now ready to use.

OPERATING INSTRUCTIONS

A. Loading and Tumbling

1. Clean the machine drum.
 2. Put the drain cap on the drum.
 3. Load the product into the drum.
 4. Place the gasket over the drum opening.
 5. Place the cover on the gasket.
 6. Make sure the gasket is under the cover all the way around by pushing it up and into the opening or by visual inspection.
 7. Tighten the cover by alternately tightening the knob in a diagonal pattern.
 8. Plug the machine into the proper voltage receptacle.
 9. Check for power to the photo-eye through observation windows (Red light should be on, If they are not on wipe the photo-eye face and reflector to remove moisture).
 10. Turn on vacuum pump.
 11. Open vacuum valve on the drum (next to the drum cover) (Make sure the vacuum passage to the drum is clean and that it is to the top. Pulling vacuum with the fitting not at the top position will result in liquid being drawn into the vacuum pump. (THIS WILL DAMAGE THE PUMP!))
 12. Push vacuum hose onto drum fitting.
 13. Run vacuum pump until 15 inches of vacuum is drawn. (Higher vacuum can be drawn if you want to).
 14. Shut off the valve on the drum.
 15. Remove the hose from the drum.
 16. Turn off the vacuum pump.
 17. Set the tumbler timer to the desired time.
 18. Set the variable speed knob to the desired speed.
 19. Make sure the vacuum hose is disconnected.
 20. Press tumbler start button. The drum will now rotate until the tumbler timer runs down to zero.
- * It can be stopped at any time by pressing the tumbler stop button or by breaking the beam from the photo-eye to the reflector.
- * To restart the machine, press the tumbler start button, it will run for the time remaining on the timer.

B. Unloading the Drum

a. Manual Unloading

1. Set the speed control to a slow speed.
2. Press the (RST/ENT) button on the timer.
3. Press the tumbler start button.
4. When the cover is facing you, at the 2 o'clock position, press the stop button.
5. Loosen the cover knobs.
6. Open the vacuum valve on the drum to release the vacuum.(Loosen cover knobs first)
7. Remove the cover.
8. Remove the gasket.
9. Unload the drum.

LT15 CONTROL PANEL WITH ELECTRONIC TUMBLER TIMER

CONTROL PANEL FUNCTION

TUMBLER PUSH BUTTONS

Starts and stops timers for the tumbling cycle.

VACUUM SWITCH

Starts and stops vacuum pump.

TOTAL TIMER

Sets the total amount of time the drum will rotate.

SETTING THE CONTROL TIMER

Direct start continuous tumbling

1. Press (RST/ENT) button on the tumbler timer.
2. Set the set point on the tumbler timer for total tumbling time (time required for the drum to rotate.)
3. To set the time on the tumbler timer press the (PR) button.
4. Notice the number that is flashing, press the button with the arrow pointing to right to the desired position you want to change (the timer is set for hour-min.).
5. Press the button with the arrow pointing up to set the desired time (each position has to be done separately).
6. After the time is set press the (RST/ENT) button to enter the time.
7. Press the (RST/ENT) again to change the current time on the timer.
8. The tumbler timer is ready to run.
9. Press the tumbler start button to begin the cycle.

Stopping the tumbler with tumbler STOP button or photo-eye switch will stop the tumbler timer and maintain it's time.

Pressing the tumbler START button will restart the tumbler timer from where it left off. Pressing the reset button on the tumbler timer in the middle of a tumbling cycle will reset that timer to the preset time setting.

CONTROL PANEL WITH ELECTRONIC TUMBLER TIMER AND INTERVAL TIMER

CONTROL PANEL FUNCTION

TUMBLER PUSH BUTTONS

Starts and stops timers for the tumbling cycle.

VACUUM SWITCH

Starts and stops vacuum pump.

TOTAL TIMER

Sets the total amount of time the drum will rotate. During the intermittent tumbling cycle, this timer runs only during the on period of the cycle.

INTERMITTENT TIMER

Set-point 1 "TON" sets amount of time drum rotates during on cycle.

Set-point 2 "TOFF" sets amount of time drum rests during off cycle.

SETTING THE CONTROL TIMER

Direct start continuous tumbling

1. Press (RST/ENT) button on the tumbler timer.
2. Set the set-point on the tumbler timer for total tumbling time (time required for the drum to rotate.)
3. To set the time on the tumbler timer press the (PR) button.
4. Notice the number that is flashing, press the button with the arrow pointing to right to the desired position you want to change (the timer is set for hour-min.).
5. Press the button with the arrow pointing up to set the desired time (each position has to be done separately).
6. After the time is set press the (RST/ENT) button to enter the time.
7. Press the (RST/ENT) again to change the current time on the timer.
8. The tumbler timer is ready to run.
9. Press (RST/ENT) button on the interval timer.
10. Set, set-point 1 "TON" to a time greater than was set on the tumbler timer.
11. To set the "TON" time on the interval timer press the (PR) button.
12. Notice the "TON" in the lower left corner of the timer is for the on time.
13. Notice the number that is flashing, press the button with the arrow pointing to the right to the desired position you want to change (the timer is set for hour-min.).
14. Press the button with the arrow pointing up to set the desired time (each position is done separately). Set this time higher than what was set on the tumbler timer.

15. After the time is set press the (RST/ENT) button to enter the time.
16. Set, set-point 2 "TOFF" to 1 min.
17. To set the "TOFF" time on the interval timer press the (PR) button twice.
18. Notice the "TOFF" in the lower left corner of the timer is for the off time.
19. Notice the number that is flashing, press the button with the arrow pointing to the right to desired position you want to change (the timer is set for hour-min.).
20. Press the button with the arrow pointing up to set the desired time (each position is done separately). Set this time for 1 min.
21. After the time is set press the (RST/ENT) button to enter the time.
22. Notice the timer will now display "TON" time.
23. The Interval timer is now ready to run.
24. Press the tumbler start button to begin the cycle.

Direct start intermittent tumbling

1. Press (RST/ENT) button on the tumbler timer.
2. Set the set-point on the tumbler timer for total tumbling time (time required for the drum to rotate.)
3. To set the time on the tumbler timer press the (PR) button.
4. Notice the number that is flashing, press the button with the arrow pointing to right to the desired position you want to change (the timer is set for hour-min.).
5. Press the button with the arrow pointing up to set the desired time (each position has to be done separately).
6. After the time is set press the (RST/ENT) button to enter the time.
7. Press the (RST/ENT) again to change the current time on the timer.
8. The tumbler timer is ready to run.
9. Press (RST/ENT) button on the interval timer.
10. Set setpoint 1 "TON" for the amount of time you want the tumbler to during it's on cycle (the on cycle will start first).
11. To set the "TON" time on the interval timer press the (PR)button.
12. Notice the "TON" in the lower left corner of the timer is for the on time.
13. Notice the number that is flashing, press the button with the arrow pointing to the right to the desired position you want to change (the timer is set for hour-min.).
14. Press the button with the arrow pointing up to set the desired on time (each position is done separately).
15. After the time is set press the (RST/ENT) button to enter the time.
16. Set, set-point 2 "TOFF" for the amount of time you want the tumble to rest during it's off cycle.
17. To set the "TOFF" time on the interval timer press the (PR) button twice.
18. Notice the "TOFF" in the lower left corner of the timer is for the off time.
19. Notice the number that is flashing, press the button with the arrow pointing to the right to desired position you want to change (the timer is set for hour-min.).
20. Press the button with the arrow pointing up to set the desired off time (each position is done separately).
21. After the time is set press the (RST/ENT) button to enter the time.
22. Notice the timer will now display "TON" time.

23. The Interval timer is now ready to run.
24. Press the tumbler start button to begin the cycle.

During the continuous or intermittent timing cycle the tumbler timer will only count down when the ON cycle is timing on the intermittent timer.

Stopping the tumbler with tumbler STOP button or photo-eye switch will stop the tumbler timer and maintain it's time. The intermittent timer will reset to the preset times.

Pressing the tumbler START button will restart the intermittent timer. The total timer will restart from where it left off. Pressing the reset button on either the tumbler timer or interval timer in the middle of a tumbling cycle will reset that timer to the preset time settings.

CLEANING PRECAUTIONS

Do not clean photo-eyes and reflectors with abrasive material, this could damage the components.

Do not spray water directly at the control panel, it could damage the components. Use a damp rag to clean the control panel face.

CLEANING YOUR MACHINE

Fill your machine so warm water goes to top of paddle. Using your standard cleaning solution, put in 1/2 to 1 cup, depending on the strength. Turn machine on and agitate for ten to fifteen minutes. When you stop the machine, make sure the drain plug is on top. Remove the plug and turn the machine on until drain is at the bottom. Remove lid and rinse. (**CAUTION: Extremely hot water will cause fat to bake on walls.**) Wipe off photo-eyes and reflectors after cleaning.

FLUSHING VACUUM VALVE ON DRUM

Open vacuum valve and thoroughly flush with water. This must be done between loads, before pulling vacuum on the drum. If valve is not cleaned properly, food particles will be drawn into the vacuum hose.

CLEANING VACUUM HOSE

To clean food particles from the vacuum hose, remove glass jar (located inside cabinet) from the filter, and flush water through hose. Clean glass jar before replacing.

EMERGENCY STOP PHOTO-EYES

These are installed for your protection! When the sensor beam is broken, the machine is automatically shut off. If the machine does not want to start, it is possible either the reflector or sensor eyes are dirty or wet. If you do have a problem with the sensor, it is quickly identified by a red light located on the back of the sensor. Check for power to the photoeyes through observation window. (Red light should be on, if they are not on wipe the photoeye face and reflector to remove moisture.)

RECOMMENDED PROCEDURES FOR TUMBLING PRODUCT

<u>PRODUCT & INSTRUCTION</u>	<u>% OF BRINE GREEN WT.</u>	<u>TOTAL TIME</u>	<u>DRUM LOAD</u>	<u>MOTOR SPEED</u>
<u>Dried Beef</u>				
Pump product with normal or recommended % of brine. Put product and excess purge into tumbler.	10%	3 hrs.	1/2 or more	40
		2.5 hrs.	1/2 or less	
<u>Beef Jerky</u>				
Get total weight of sliced product to verify % of brine to be added	10%	25 min.	1/2 or more	40
		15 min.	1/2 or less	
<u>Chunked & Formed</u>				
Using Ham Meat and Boston Butt parts (90%lean), run product through kidney plate on grinder. Get total weight to verify % of brine to be added. Tumble for stated period of time. Remove from tumbler. Run product through stuffer into large casing. Put into ham press and smoke under normal smoking conditions.	10%	1 hr.		70
<u>Chicken</u>				
After obtaining total weight of birds, add normal or recommended % of brine and tumble product and brine for required time.	10%	1 hr.	1/2 or more	40
<u>Turkey</u>				
Obtain total weight of birds. Pump breast, leg and wings on both sides with normal or recommended % of brine. Put product and excess purge in tumbler for recommended time. Then follow normal smoking procedures.	10%	1 hr.	1/2 or more	60

RECOMMENDED PROCEDURES FOR TUMBLING PRODUCT

<u>PRODUCT & INSTRUCTION</u>	<u>% OF BRINE GREEN WT.</u>	<u>TOTAL TIME</u>	<u>DRUM LOAD</u>	<u>MOTOR SPEED</u>
<u>Bone-In Ham</u> Pump your normal or recommended % of brine per green weight and put product and excess purge in tumbler.	15%	3.5 hrs. 3 hrs.	1/2 or more 1/2 or less	60
<u>Boneless Ham</u> Same process as Bone-In	15%	3 hrs. 2.5 hrs.	1/2 or more 1/2 or less	50
<u>Bacon</u> Obtain total weight of all product. Using your normal or recommended % of brine per green weight, put bellies and brine into tumbler	10%	3 hrs. 2.5 hrs.	1/2 or more 1/2 or less	50
<u>Cottage Bacon</u> Pump product with normal or recommended % of brine per green weight. Put product and excess purge into tumbler.	10%	3 hrs. 2.5 hrs.	1/2 or more 1/2 or less	50
<u>Pork Ribs</u> Get total weight of the product to verify % of brine to be added.	10%	.5 hrs.		40
<u>Pork Hocks</u> Get total weight of the product to verify % of brine to be added.	15%	2 hrs. 1.5 hrs.	1/2 or more 1/2 or less	40
<u>Beef or Pork Roast</u> Pump roasts with normal or recommended soluble roast spice.	10%	4 hrs. 3.5 hrs.	1/2 or more 1/2 or less	40

* After tumbling put into cooking bag and bring internal temperature to 150 degrees. Product is now ready for sale.

MAINTENANCE

WARNING: DISCONNECT POWER BEFORE SERVICING.

NOTE: Lock and tag power disconnect to prevent application of power.

CLEANING

Properly selected and installed electric motors are capable of operating for long periods with minimal maintenance. Periodically clean dirt accumulations from open-type motors, especially in and around vent openings, preferably by vacuuming (avoid imbedding dirt in windings). At the same time check that electrical connections are tight.

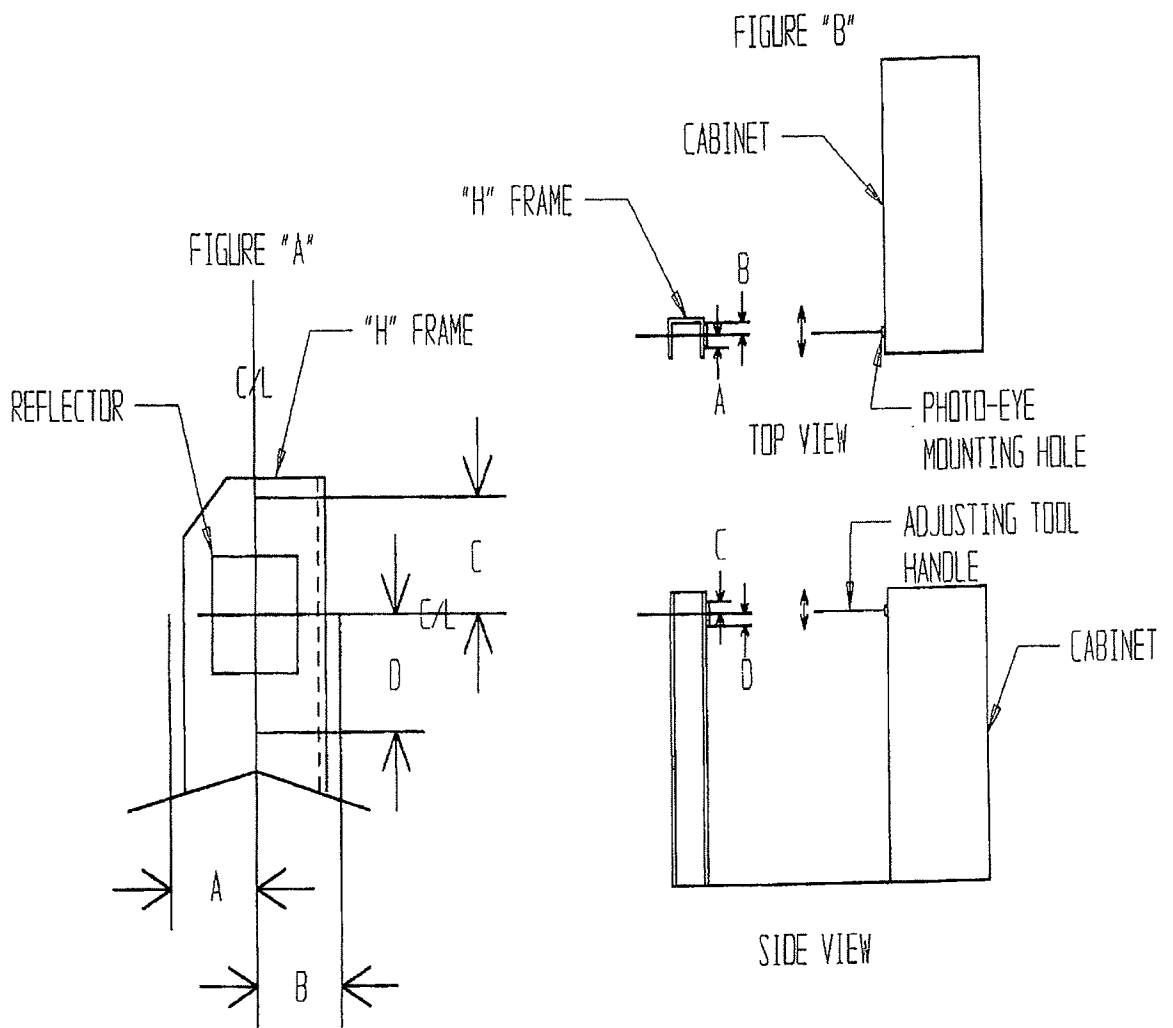
LUBRICATION

The motor is equipped with pre-lubricated ball bearings and will not require re-lubrication. Should the gears require lubrication, use type "L-Industrial 30" (American Oil Co.) grease or its equivalent. The following is a list of lubricants which can be used: Mobile UX-EP2, Philube =EP2, Gulf Crown =EP2, Alvania =EP2, or Mutifax =EP2.

IMPORTANT: COMPLETELY CLEAN THE OLD LUBRICANT FROM THE GEAR BOX BEFORE ADDING FRESH LUBRICANT. UNDER NO CIRCUMSTANCES SHOULD DIFFERENT TYPES OF LUBRICANTS BE MIXED!

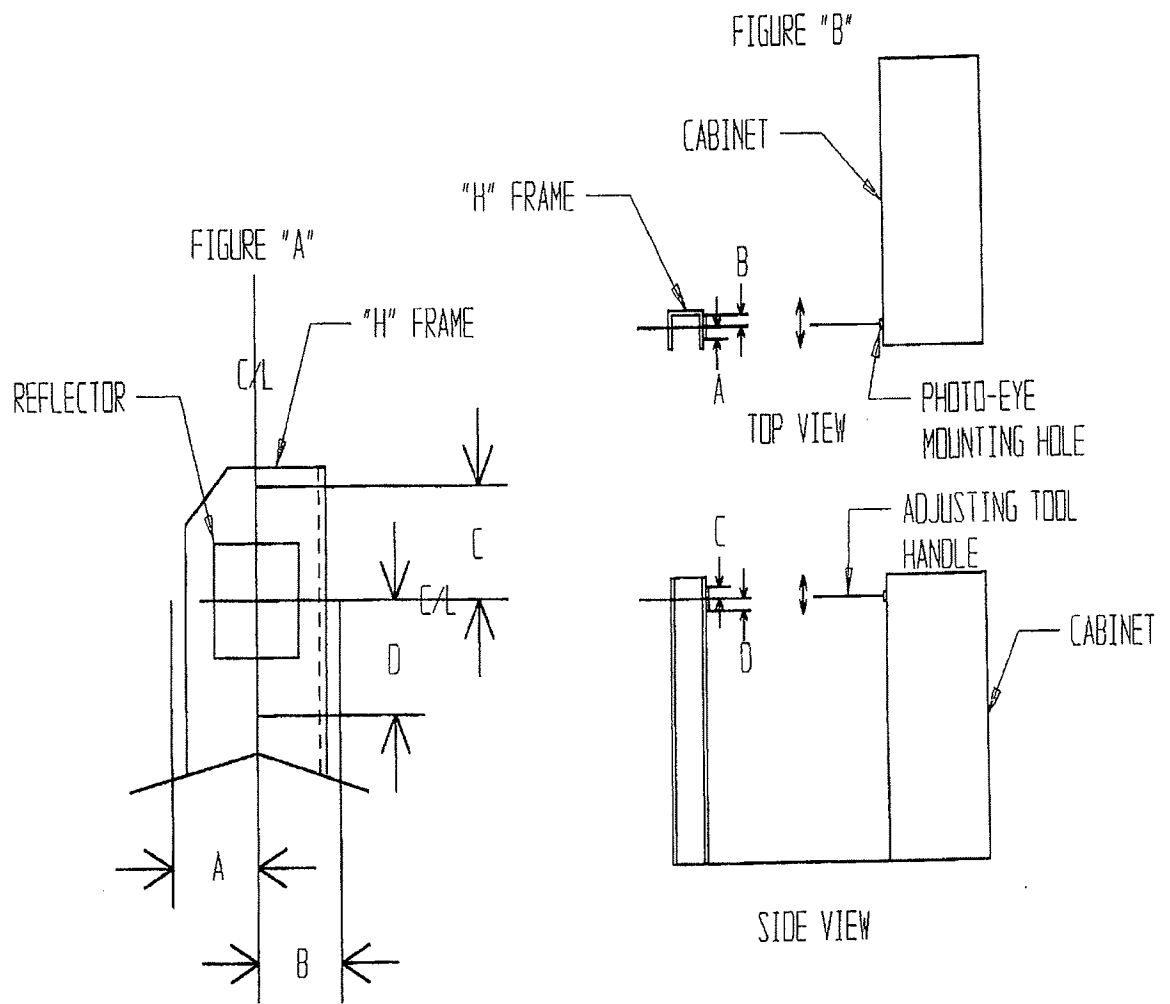
CHECKING THE AIM OF A PHOTO-EYE

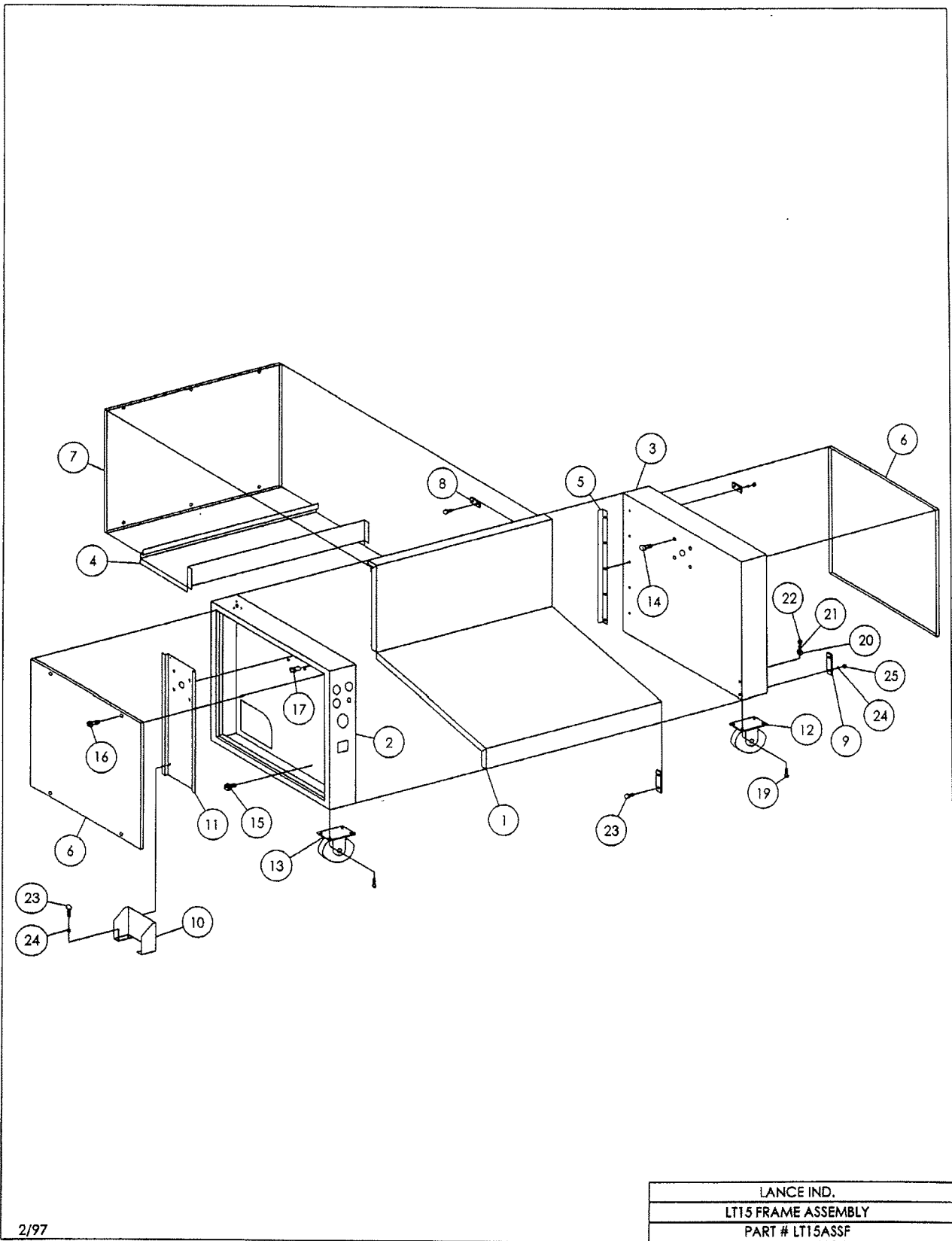
1. Press the (RST/ENT) button on the timer. This will supply power to the photo-eyes which will be indicated by a red light on at the back of the timer. (If they won't come on, the photo-eye might be out of alignment.)
2. Take a piece of masking tape and cover up the reflector. Only the one reflector that is opposite of the photo-eye that you are checking.
3. Use a reflector for checking the sensing range of the photo-eye. Take this reflector and hold it over the reflector that you taped up.
 - A. Move the reflector to the left until the red light on the photo-eye goes out, measure this distance (see Figure "A"), which we will call distance "A".
 - B. Move the reflector to the right until the red light on the photo-eye goes out, measure this distance (see Figure "A"), which we will call distance "B".
 - C. Move the reflector up until the red light on the photo-eye goes out, measure this distance (see Figure "A"), which we will call distance "C".
 - D. Move the reflector down until the red light on the photo-eye goes out, measure this distance (see Figure "A"), which we will call Distance "D".
4. Distance "A" & "B" should be about the same and "C" & "D" should be about the same. If measurement "A" & "B" are not equal and "C" & "D" are not equal the photo-eye aim needs to be adjusted (see **ADJUSTING THE AIM OF THE PHOTO-EYE**). If they are equal repeat this procedure on the second photo-eye (Model LT30 and LT60 only).



ADJUSTING THE AIM OF A PHOTO-EYE

1. Remove side panel of cabinet.
2. Press the (RST/ENT) button on the timer. This will supply power to the photo-eyes which will be indicated by a red light on at the back of the timer. (If they don't come on, the photo-eye might be out of alignment.)
3. For adjusting the mounting hole on the cabinet we have sent along an Adjusting Tool.
 - A. Remove the photo-eye from the cabinet.
 - B. Remove one of the nuts that is threaded onto the Adjusting Tool and insert the threaded end into the hole in the cabinet (from the outside) and thread the nut back on the tool.
 - C. Pull the handle of the Adjusting Tool into the direction of the smaller measurements that you recorded in step #4 (see Figure "B"). You should be able to bend the mounting hole in the cabinet, to align the photo-eye.
4. Install the photo-eye back into the cabinet.
5. Repeat instructions for **CHECKING THE AIM OF THE PHOTO-EYE**. Re-adjust again if necessary.
6. Once this is complete remove the tape from the reflector and put the side panel back on the cabinet.
7. Alignment is now complete.





2/97

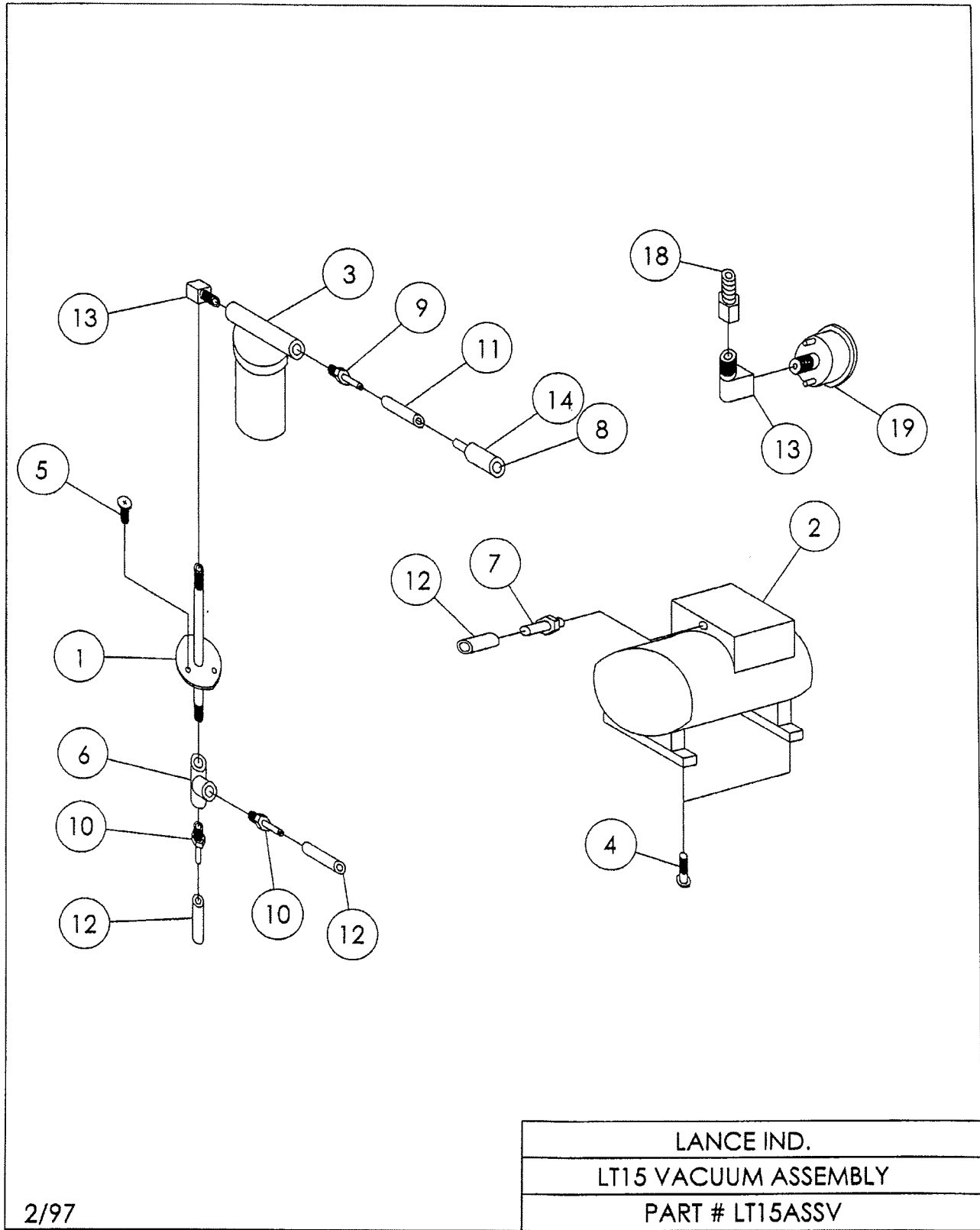
LT 15 FRAME ASSEMBLY

27x46 UNIT

<u>REF.</u>	<u>NO.</u>	<u>PART NO.</u>	<u>DESCRIPTION</u>	<u>QTY.</u>
	1	250-1	MAIN WRAP	1
**	2	LT15-2	LEFT SIDE PANEL	1
	3	250-3	RIGHT SIDE PANEL	1
	4	250-4	MOTOR SUPPORT	1
	5	250-5	BACK ANGLE	2
	6	250-6	SIDE COVER PANEL	2
	7	250-7	REAR COVER PANEL	1
	8	250-34	REAR BACKING PLATE	4
	9	250-35	FRONT BACKING PLATE	4
	10	250-16	BRACE	1
	11	250-38	BEARING SUPPORT	2
**	12	CS4W890	RIGID CASTER	2
**	13	CS4W887	SWIVEL CASTER	2
	14	BOS0AB240125	3/8-16x1-1/4" CARR BOLT SS	8
	15	BOS0CX160050	10-24x1/2" HSHMS SS	41
	16	BOSAU160125	10-24x1-1/4" PH RHMS SS	17
	17	RNA1024A080	10-24 ALUM RIVNUT	10
	18	***		
	19	BOS0AH220075	3/8-16x3/4" HHCS SS	16
	20	WASGA037	3/8" STD FLAT WASHER SS	16
	21	WASGI037	3/8" STD LOCK WASHER SS	16
	22	NUS0EA24	3/8-16 HEX NUT SS	16
	23	BOS0AA200100	1/4-20x1" HHCS SS	13
	24	WASGI025	1/4" STD LOCK WASHER	13
	25	NUS0EA20	1/4-20 HEX NUT SS	8
	26	***		
	27	***		
	28	WP1305	WINDOW PLUG	1

** SEE CHANGE LIST

*** NUMBER UNASSIGNED



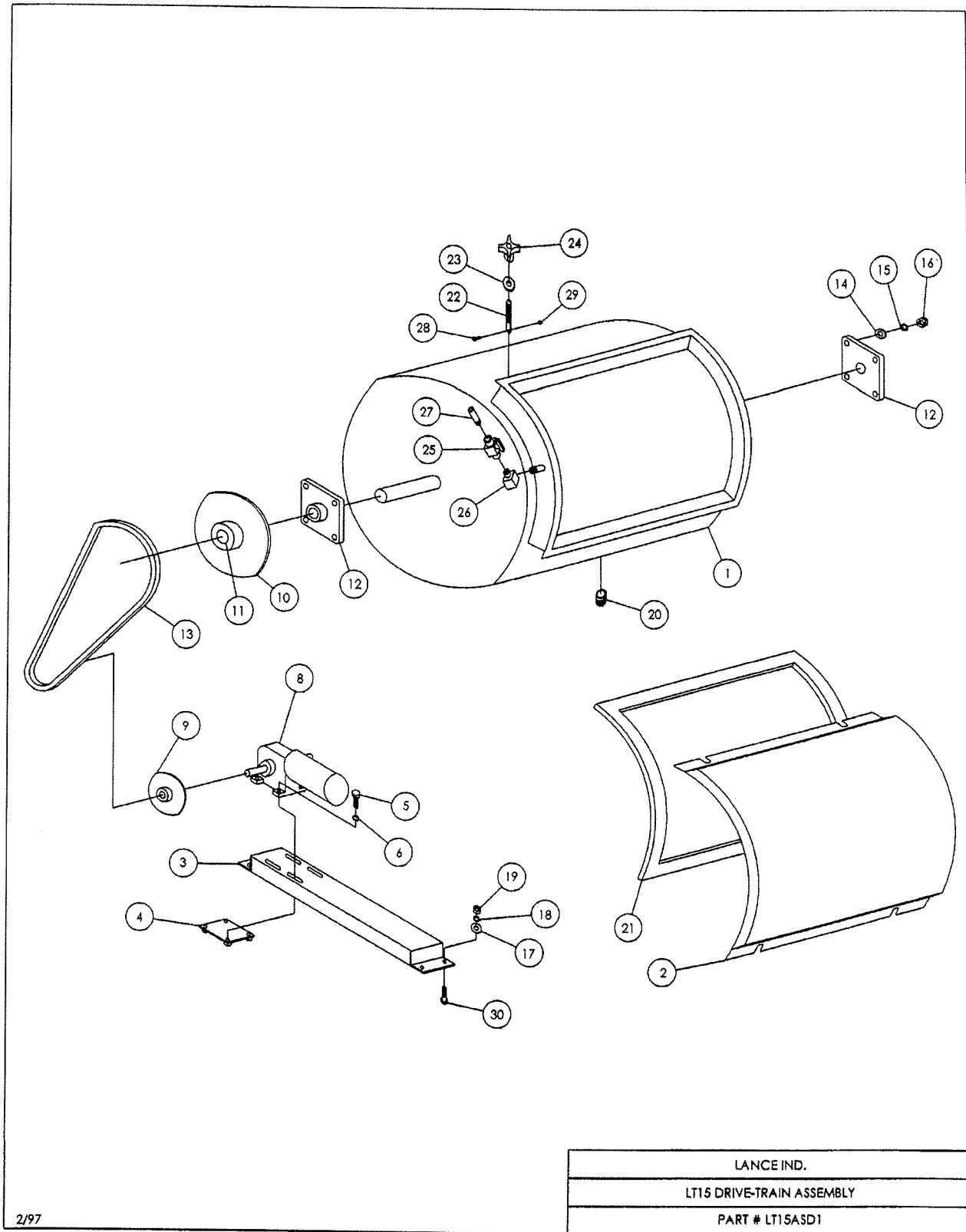
2/97

LT15 VACUUM ASSEMBLY

27x46 UNIT

<u>REF.</u>	<u>PART NO.</u>	<u>DESCRIPTION</u>	<u>QTY.</u>	
	1	250-36TW	TRAP BRACKET	1
**	2	VU607CE32	VACUUM PUMP	1
**	3	VTAA672K	BALL TRAP	1
	4	BOSOAU140037	8-32x3/8" PH RHMS SS	3
	5	BOSOAU160050	10-24x1/2" PH RHMS SS	3
	6	TEE101C	TEE	1
	7	HN5346K18	MALE HOSE NIPPLE	1
	8	OR9464K26	O-RING	1
	9	HN5346K18	MALE HOSE NIPPLE	1
	10	HN5346K14	MALE HOSE NIPPLE	2
	11	HS26-705AM	3/8" HOSE	16"
	12	HS26-702AM	1/4" HOSE	6'
	13	EL116SC	90 STREET ELBOW	2
	14	0002-49	VACUUM PLUG	1
*	15	VTAJ554	TRAP BALL	1
*	16	VTAJ473	TRAP FUNNEL	1
**	17	VTAE274	TRAP JAR	1
	18	HN5346K42	FEMALE HOSE NIPPLE	1
	19	GATSUGF	VACUUM GAUGE	1

* NOT SHOWN
** SEE CHANGE LIST



LANCE IND.
LT15 DRIVE-TRAIN ASSEMBLY
PART # LT15ASD1

2/97

LT 15 DRIVE-TRAIN ASSEMBLY

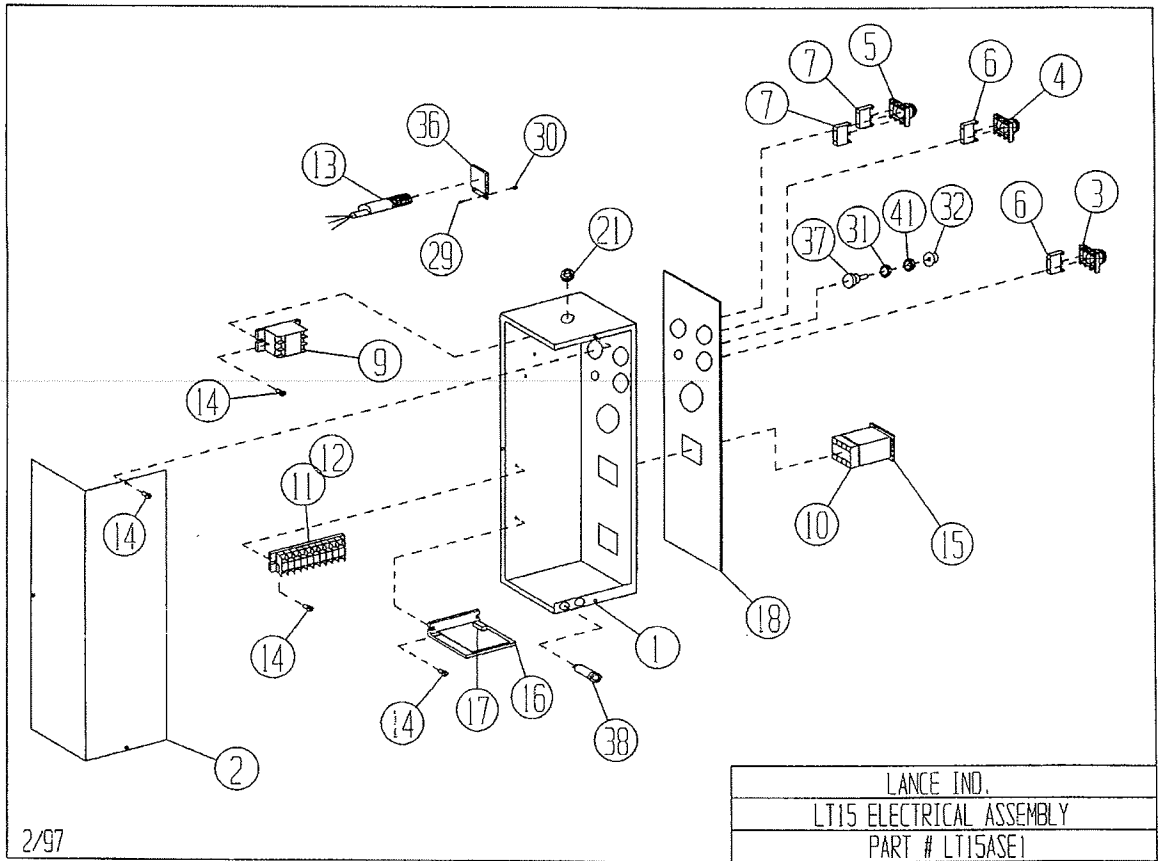
27x46 UNIT

<u>REF.</u>	<u>NO.</u>	<u>PART NO.</u>	<u>DESCRIPTION</u>	<u>QTY.</u>
	1	LT15DW	DRUM	1
	2	LT15CW	COVER	1
	3	250-8	MOTOR MOUNTING BRKT VARIABLE SPEED	1
	4	250-9	SLIDE PLATE	1
	5	BOS0AA200100	1/4-20 X 1" HHCS SS	4
	6	WASGI025	1/4" STD. LOCKWASHER SS	4
	7	***		
	8	MOGP7408	VARIABLE SPEED MOTOR	1
	9	SP40B10-3/4	SPROCKET	1
	10	SP40SDS54	SPROCKET VARIABLE SPEED	1
	11	BUQDSDS-1-1/4	BUSHING	1
	12	PBFB220-1-1/4	FLANGED BEARING	2
	13	RC4006000	#40 ROLLER CHAIN	6'
	14	WASGA037	3/8" STD FLAT WASHER SS	8
	15	WASGI037	3/8" STD LOCKWASHER SS	8
	16	NUS0EA24	3/8-16 HEX NUT	8
	17	WASGA031	5/16" STD FLAT WASHER SS	4
	18	WASGI031	5/16" STD LOCKWASHER SS	4
	19	NUS0EA22	5/16-18 HEX NUT SS	4
	**20	PC63745T81	END CAP	1
	**21	GALT153060	GASKET	1
	22	0002-43	COVER BOLT	4
	23	WASGA050	COVER WASHER	4
	24	PK5993K33	COVER KNOB	4
	25	PV4886K56	BRASS VALVE	1
	26	EL116SC	90 STREET ELBOW	1
	27	600-56	PIPE NIPPLE	1
	28	BOS0BF700062	10-32x5/8" PH TH HD MS SS	4
	29	NUSOEN17	10-32 ACORN NUTS SS	4
	30	BOS0AA220075	5/16-18x3/4" HHCS BOLT SS	4
	31	BBR1079	BRUSH FOR D.C. MOTOR	2
	32	BBR1097	BRUSH HOLDER FOR D.C. MOTOR	2
	33	BBR1094	BRUSH CAP FOR D.C. MOTOR	2
	34	PW1041	PLASTIC WASHER	4

* NOT SHOWN

** SEE CHANGE LIST

*** NUMBER UNASSIGNED



2/97

LT 15 ELECTRICAL ASSEMBLY

27x46 UNIT

<u>REF.</u>	<u>NO.</u>	<u>PART NO.</u>	<u>DESCRIPTION</u>	<u>QTY.</u>
**	1	250-15	ELECTRICAL BOX	1
**	2	250-15A	COVER	1
**	3	SWP9CSMDON	SELECTOR SWITCH	1
**	4	PBP9CPNVG	PUSH BUTTON-GREEN	1
**	5	PBP9CPNRS	PUSH BUTTON-RED	1
**	6	CBP9B10VN	CONTACT BLOCK-NO	2
**	7	CBP9B01VN	CONTACT BLOCK-NC	2
	8	***		
**	9	RL2XC20	RELAY	3
	10	SO00008258700	SOCKET 8 PIN	
**	11	TE2A691	TERMINAL SECTIONS	10
**	12	TE2A696	END SECTION	1
	13	PEATC-7253AR2X3ASX	PHOTOELECTRIC EYE	1
	14	BOS0AU140037	8-32x3/8" PH RHMS SS	10
**	15	TM88-857-800	TIMER	1
	16	BCBC141	D.C. CONTROLLER	1
	17	BCBR0050	D.C. HP. RESISTOR	1
**	18	LT15FACE1	FACE PANEL	1
*	19	SR1200	5/8" STRAIN RELIEF	3
*	20	SR1157	1/2" STRAIN RELIEF	1
	21	GM9600K22	GROMMET	1
*	22	W11W661	16/3 WIRE	6'
*	23	CR3453	CORD RESTRAINT	1
*	24	CT3500	NYLON CABLE TIES	10
*	25	CT3503	NYLON CABLE TIES	10
*	26	CL3608	CABLE HOLDER	6
*	27	CN534-0550	1/4" 90 CONNECTOR	4
*	28	CN4X308	RING CONNECTOR	5
	29	BOS0CA120037	6-32x3/8" PH RHMS SS	2
	30	NUSOEN12	6-32 ACORN NUTS SS	2
	31	WA93650A160	WASHER SEAL	1
	32	SK753-2352	SPEED KNOB	1
**	33	CS2W687	POWER CORD 12' (W2687-70-01)	1
	34	***		
	35	***		
**	36	00001812300	REFLECTOR	1
	37	SPBC-148	5K SPEED POTENTIOMETER	1
	38	FHHTB-36I	FUSE HOLDER	2
	39	FU6F019	GGC12-12 AMP FUSE	1
	40	FU6F042	GAB4-4 AMP FUSE	1
	41	NU70205K21	SEALING NUT	1

* NOT SHOW

** SEE CHANGE LIST

*** NUMBER UNASSIGNED

LANCE PARTS CHANGE LIST - LT15

<u>DESCRIPTION</u>	<u>OBSOLETE PART NUMBER</u>	<u>NEW PART NUMBER</u>
RIGID CASTER	CS4X785	CS4W890
SWIVEL CASTER	CS4X783	CS4W887
VACUUM PUMP	VU5Z346	VU607CE32
GASKET	GA251A	GALT153060
END CAP	PCN-800D	PC63745T81
RELAY	RL2XC37	RL2XC20
POWER CORD	CS1W614	CS2W687
BALL TRAP	VTAA672D	VTAA672K
TRAP JAR	VTAA125A	VTAE274
REFLECTOR	00001812400	00001812300
LEFT SIDE PANEL	250-2	LT15-2
ELECTRICAL BOX	250-15	LT15-15
COVER	250-15A	LT15-15A
SELECTOR SWITCH	SW2A922	SWP9CSMDON
PUSH BUTTON-GREEN	PB2A917	PBP9CPNVG
PUSH BUTTON-RED	PB2A918	PBP9CPNRS
CONTACT BLOCK (NO)	CB2A932	CBP9B10VN
CONTACT BLOCK (NC)	CB2A933	CBP9B01VN
TIMER	TM191-11A6	TM88-857-800
FACE PANEL	LT15FP	LT5FACE1



1419 ILLINOIS AVE., SHEBOYGAN, WI 53082
(920) 457-4891

MODEL NUMBER 627CE44

Read and understand the follow information and instructions included with this product before using. This information is for your safety and to prevent damage to this product.

⚠ CAUTION: To reduce risk of electrical shock..

1. Do not disassemble. Disassembly or attempted repairs if accomplished incorrectly can create electrical shock hazard. Refer servicing to qualified service agencies only.
2. If this plug is supplied with a three pronged plug, connect unit to a properly grounded outlet only.

⚠ WARNING: To reduce risk of electrocution ...

1. This product should never be left unattended when plugged in.
2. Always unplug this product immediately after using and store in dry place.
3. Do not use this product in or near area where it can fall or be pulled into water or other liquids.
4. Do not reach for this product if it has fallen into liquid. Unplug immediately.
5. Never operate this product outdoors in the rain or in a wet area.

⚠ DANGER: To reduce risk of explosion or fire...

1. Do not use this product in or near explosive atmospheres or where aerosol (spray) products are being used.
2. Do not pump anything other than atmospheric air.
3. Do not pump combustible liquids or vapors with this product or use in or near an area where flammable or explosive liquids or vapors may exist.
4. Do not use this product near flames.

Failure to observe the above safety precautions could result in severe bodily injury, including death in extreme cases.

SAVE THESE INSTRUCTIONS



Warning: Thomas compressors are precision-made, and carefully assembled and wired. Therefore do not disassemble or attempt to repair these products. Only qualified personnel should perform repair service.



IMPORTANT NOTICE TO PURCHASER: WARRANTY AND EXCLUSIVE REMEDIES

Thomas finished OEM products, when properly installed and under normal conditions of use, are warranted by Thomas to be free from defects in material and workmanship at time of shipment. Warranty claims regarding OEM limited products must be asserted within 13 months (the "warranty period") from date of manufacture encoded on the product (unless otherwise agreed in writing or specified in a Thomas OEM Quotation). The customer's exclusive remedy against Thomas for a warranty claim or otherwise, shall be limited to repair or replacement of the subject OEM finished product if it is shown to have been defective in material and workmanship at time of shipment, and then only if the claim is asserted during the warranty period. Thomas maximum liability under this exclusive remedy shall never exceed the cost of the subject product and Thomas reserves the right, at its sole discretion, to refund the purchase price in lieu of repair or replacement. Except for such warranty and exclusive remedy as stated (and except for the express warranty of title) THOMAS DISCLAIMS ALL OTHER WARRANTIES WITH RESPECT TO ITS OEM FINISHED PRODUCTS, WHETHER IMPLIED, AND SPECIFICALLY DISCLAIMS THE IMPLIED WARRANTIES OF MERCHANTABILITY AND FITNESS FOR A PARTICULAR PURPOSE. IN NO EVENT SHALL THOMAS

BE LIABLE TO CUSTOMER OR THIRD PARTIES IN WARRANTY, CONTRACT, NEGLIGENCE, STRICT LIABILITY, OR OTHERWISE, FOR ANY DAMAGES, WHETHER INCIDENTAL OR CONSEQUENTIAL, WHICH ARE ALLEGED TO HAVE BEEN CAUSED BY ONE OR MORE OF OUR PRODUCTS BEYOND THE COST TO THE CUSTOMER OF THE SUBJECT PRODUCT OR PRODUCTS. THE EXCLUSIVE REMEDY FOR ANY CLAIM HAVING BEEN LIMITED TO REPAIR OR REPLACEMENT AS AFORESAID.

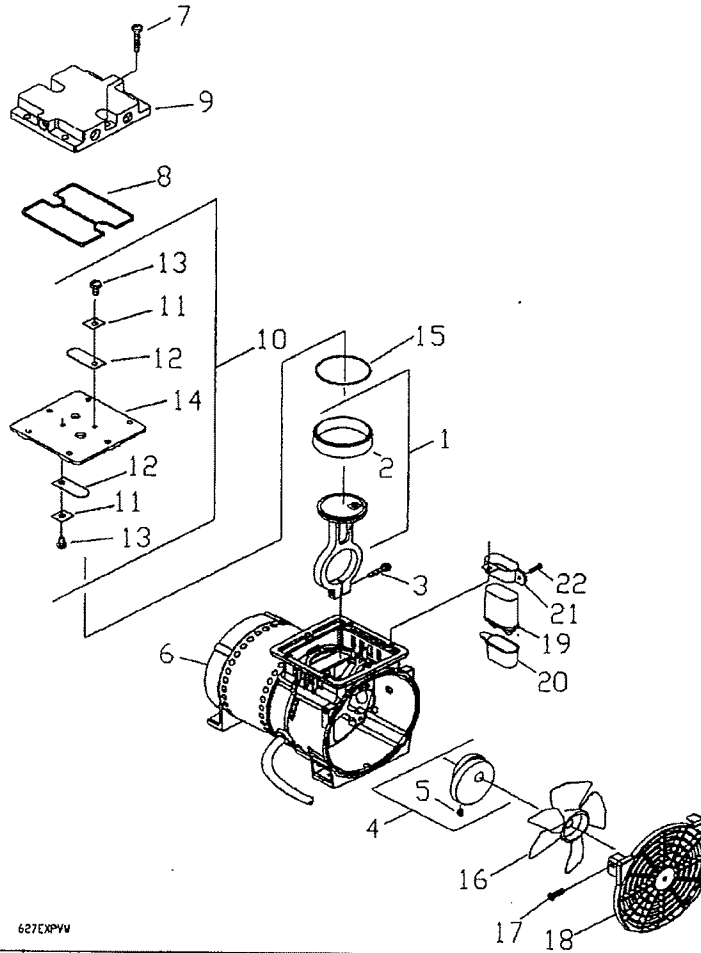
Because Thomas OEM warranties and remedies extend only to our direct customers, the customer is not authorized to extend warranties on our behalf to anyone. Unauthorized extensions of warranties by the customer shall remain customer's responsibility.

CUSTOMER IS RESPONSIBLE FOR DETERMINING THE SUITABILITY OF OUR PRODUCTS FOR CUSTOMER'S USE OR RESALE, OR FOR INCORPORATING THEM INTO OBJECTS OR FOR APPLICATIONS WHICH CUSTOMER DESIGNS, ASSEMBLES, CONSTRUCTS OR MANUFACTURES.

Part No. 642444 10/00

2000 Thomas Industries Inc. Printed in U.S.A
All Rights Reserved

DRAWING AND PARTS LIST



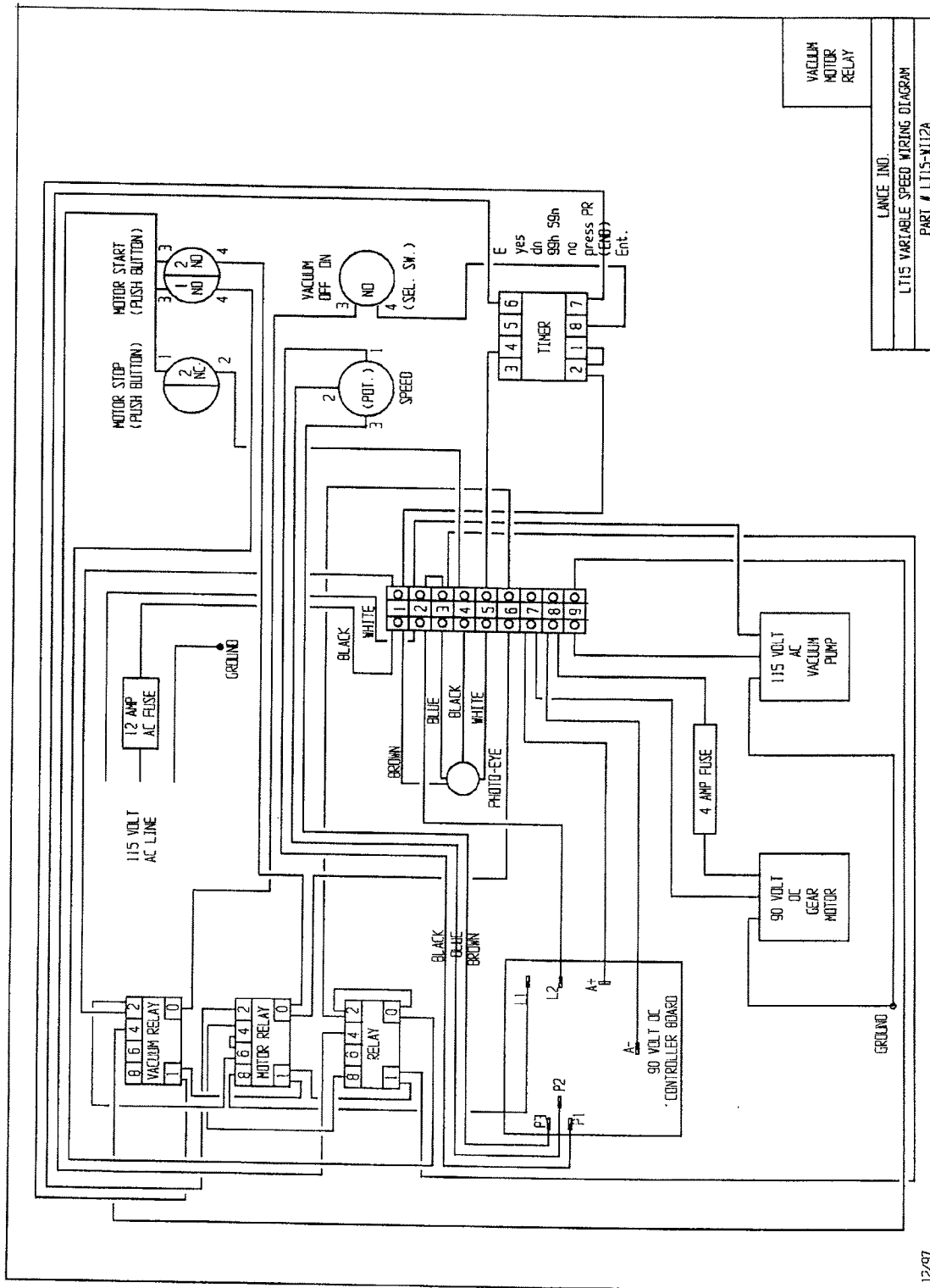
627EXPVV

Item No.	Part No.	Description	Qty
1	666258	Connecting Rod Assembly	1
2	*670011	Piston Sleeve	1
3	625114	Screw - Connecting Rod	1
4	645995	Eccentric & Bearing Assembly	1
5	*625244	Set Screw - Eccentric	1
6**	614847-504	Motor End Cap	1
7	625646	Screw - Head	6
8	633629	O-Ring Gasket - Head	1
9	661146-504	Head	1
10	621276-504	Valve Plate Assembly	1
11	*617045	Valve Keeper Strip	2

* Indicates Component Parts

** Indicates parts or assemblies that are serviceable only by Authorized Thomas service centers

Item No.	Part No.	Description	Qty
12	*621102	Valve Flapper - Intake & Exhaust	2
13	*625446	Screw - Valve Flapper	2
14	*662163-504	Valve Plate	1
15	623539	O-Ring - Sleeve	1
16	633780	Fan	1
17	625449	Screw - Front Cover	2
18	662222	Front Cover	1
19	603025	Capacitor 8 MFD	1
20	606018	Insulator Boot	1
21	617086	Bracket - Capacitor	1
22	625449	Screw - Capacitor Bracket	1
N/S**	600027	Stator 120V 60 Hz	1



LANCE INC.
 LT15 VARIABLE SPEED WIRING DIAGRAM
 PART # LT15-VII2A

12/97
 REV. 'A', 12/02

12/97
REV. "A", 12/02

