



# LANCE LST 20

## HOT WATER SHRINK TANK



### FEATURES

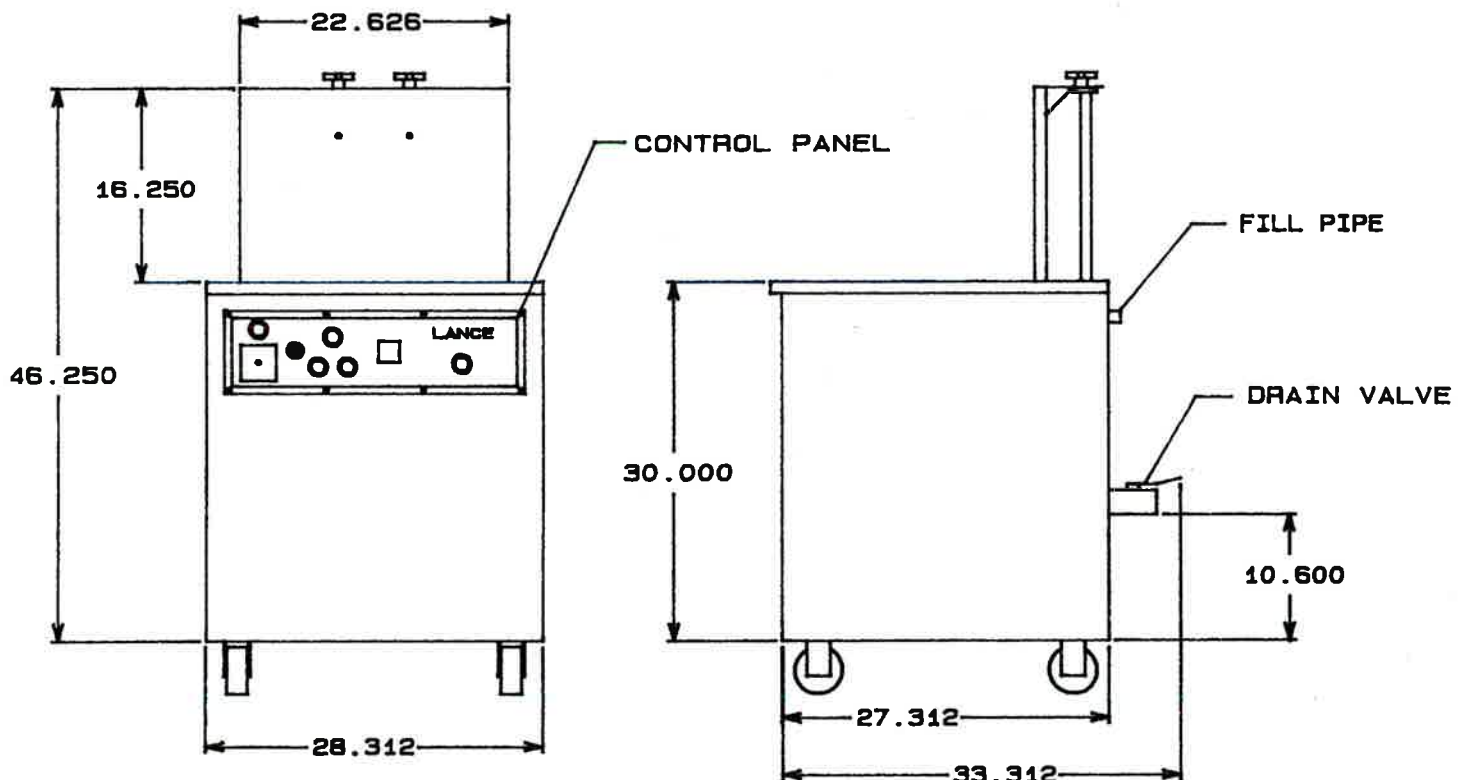
- All stainless steel construction
- Water is electrically heated
- Easy to clean--easy to service
- Easily removable dipping platform
- Simple operation by push button control
- Adjustable dipping cycle
- Heating elements of corrosion-proof material
- Insulated tank reduces heat loss
- Plastic balls cover water surface to reduce evaporation and loss of heat
- Easy filling and draining of dipping tanks
- Digital temperature control displays actual water temperature
- Water level switch prevents heating element burnout
- Four swivel castors for ease in moving
- Made in U.S.A.

**LANCIE INDUSTRIES • PO Box 341 • Allenton, WI 53002**  
**PHONE 262-629-5527 • 1-800-77-LANCE (1-800-775-2623) • FAX 262-629-5520**



## LST 20 SPECIFICATIONS

- Approximate Machine Size – 35" Working height  
(51" OAH with platform raised) – 29" Width – 32" Depth
- Platform Size – 16" x 24"
- Maximum size of product for dipping platform – 10" x 16" x 24"
- Adjustable dipping time 2 - 8 seconds
- Water temperature is adjustable by digital temperature control
- Water volume for operation approximately 20 Gals
- Size of Dipping tank – 17.5" depth x 24.5" width x 17" deep
- Fill pipe—1/2 NPT
- Drain valve—1" NPT



Specifications Subject to change at anytime.